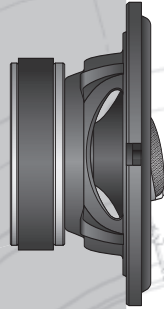


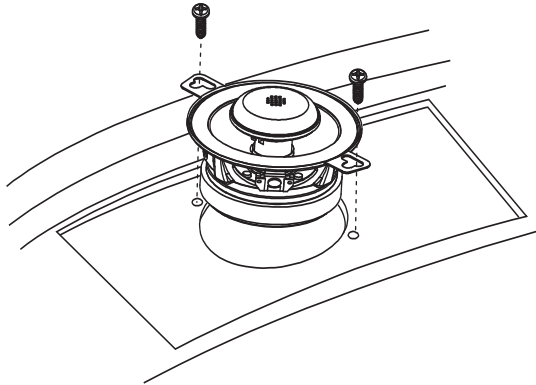
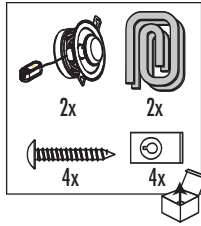
42.9i, 52.9i, 62.9i, 62.9is, 63.9i, 652.9i,
692.9i, 693.9i, 32.9cf, 462.9cfp, 682.9cf



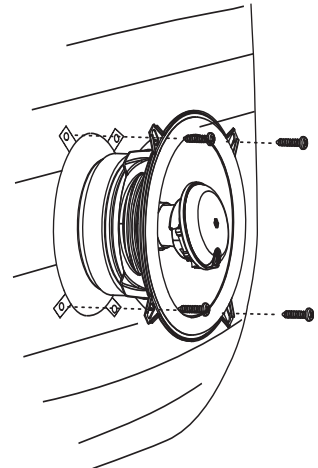
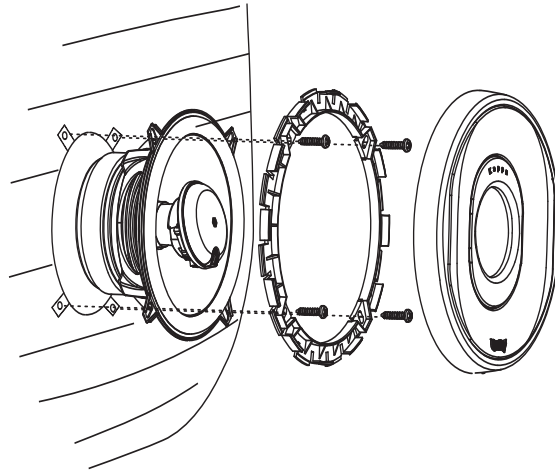
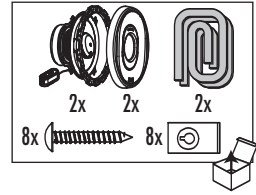
Infinity®

kappa® series

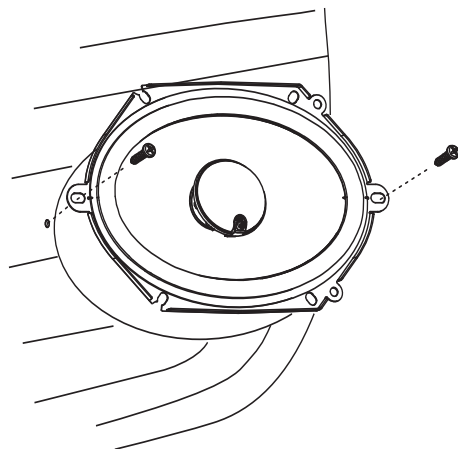
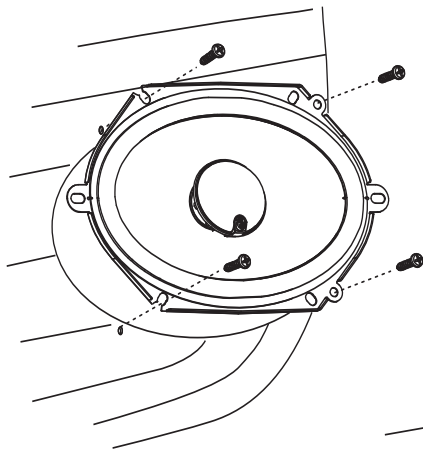
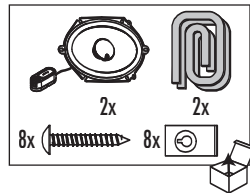
329cf



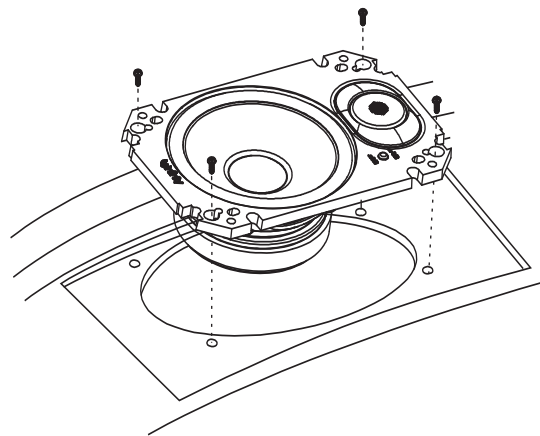
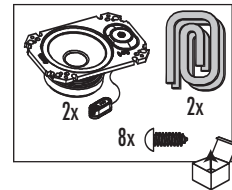
529i, 6529i,
6929i, 6939i



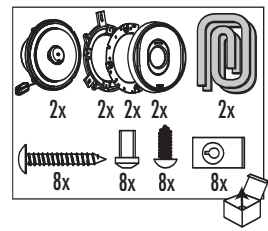
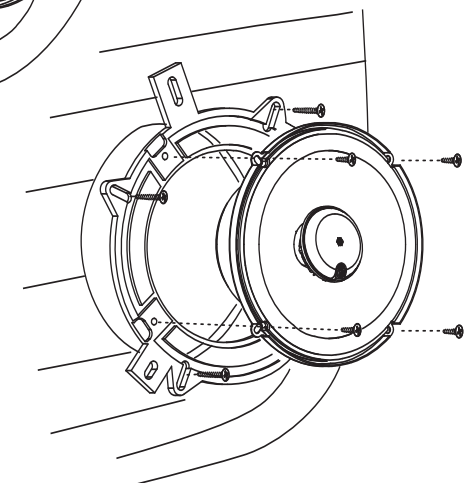
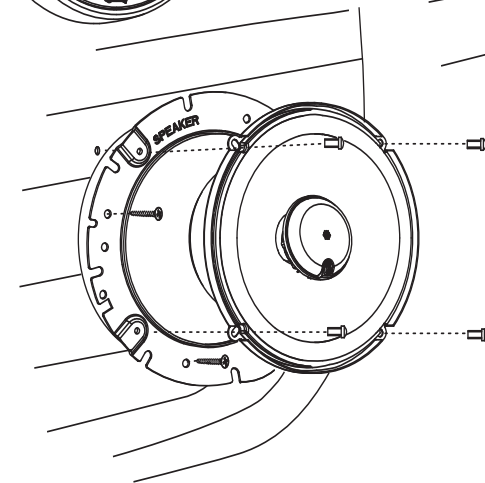
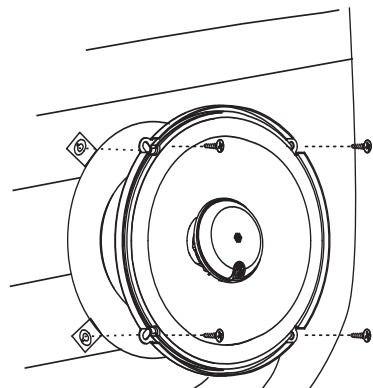
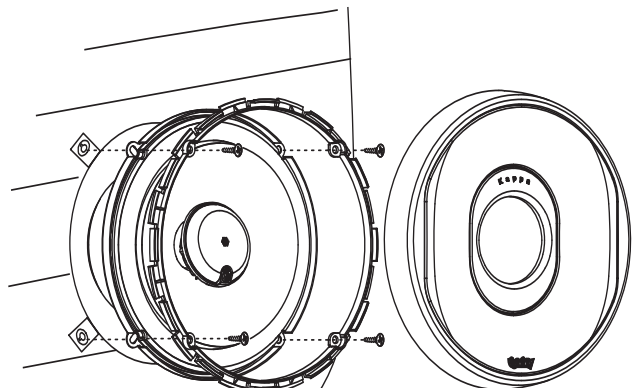
6829cf



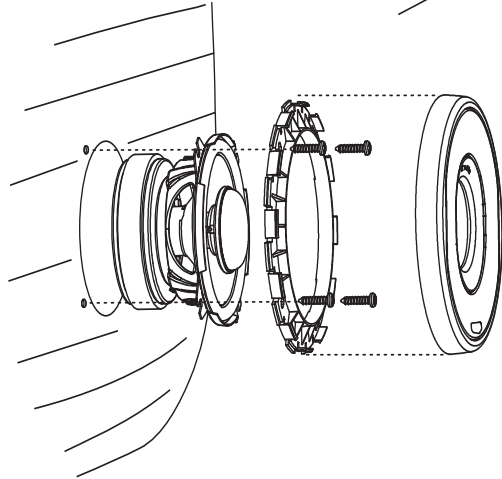
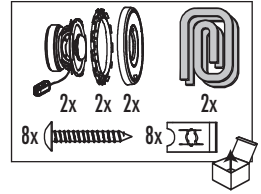
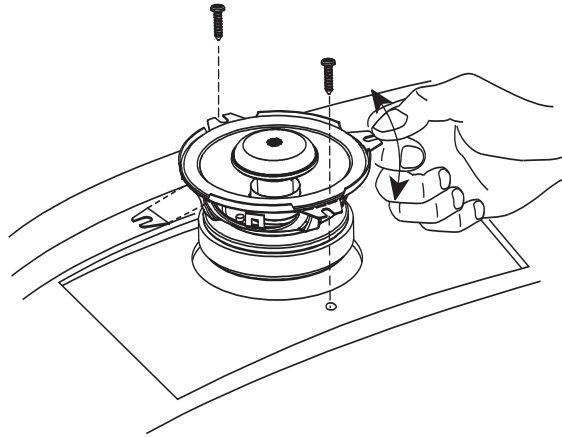
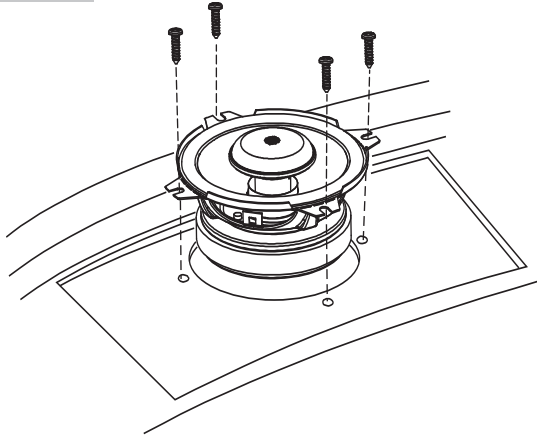
4629cfp



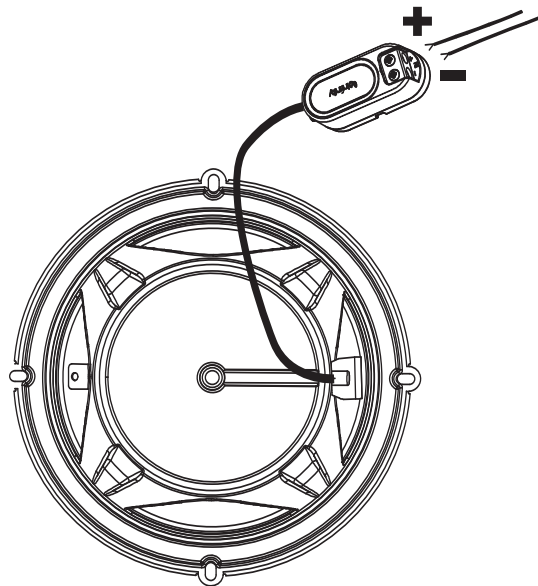
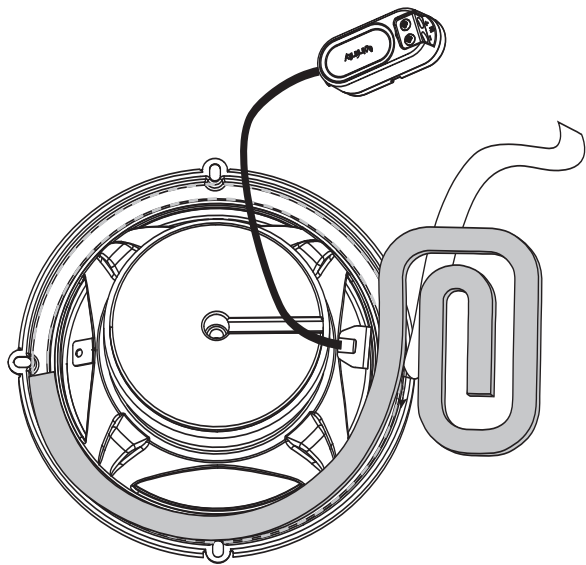
629i, 629is, 639i



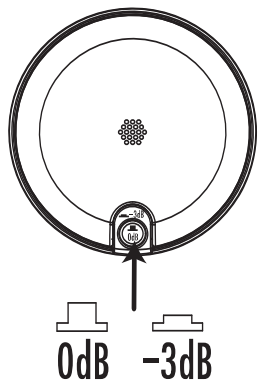
42.9i



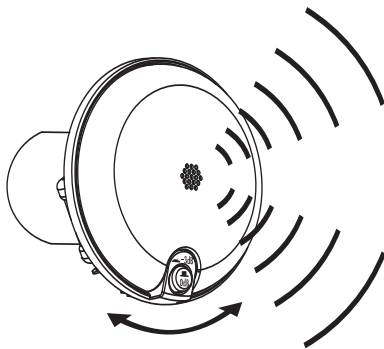
42.9i, 52.9i, 62.9i, 62.9is, 63.9i, 652.9i,
692.9i, 693.9i, 32.9cf, 462.9cfp, 682.9cf



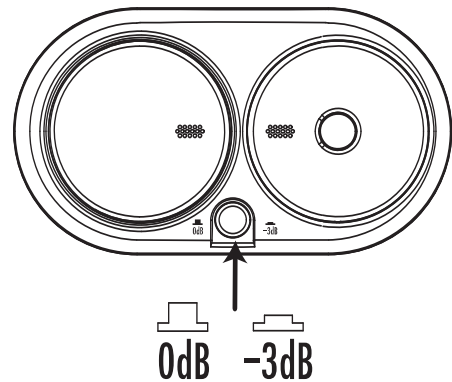
529i, 629i,
629is, 6529i,
6929i, 4629cfp,
6829cf

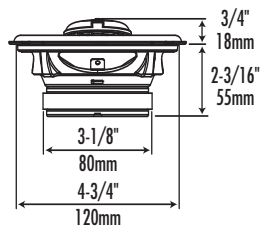
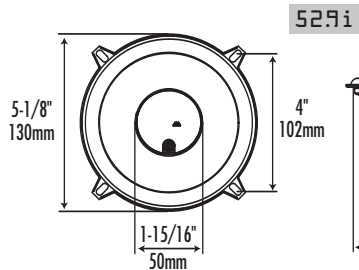
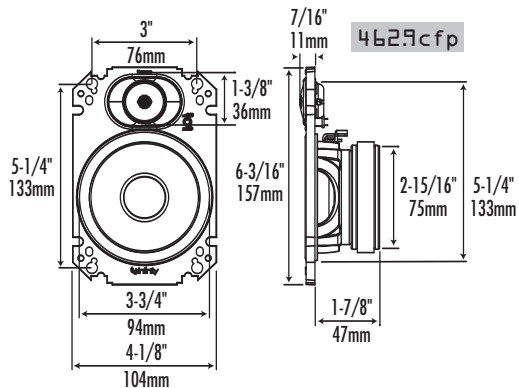
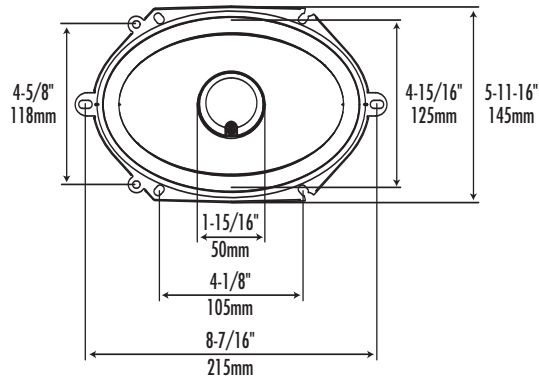
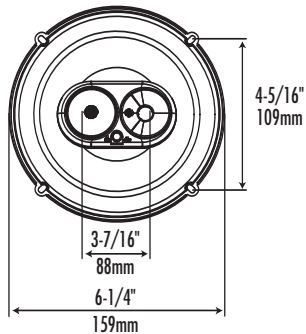
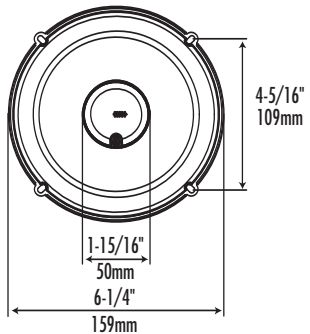
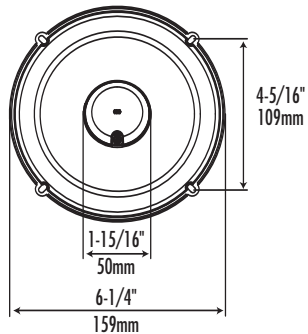
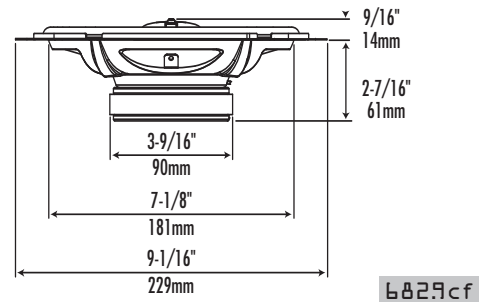
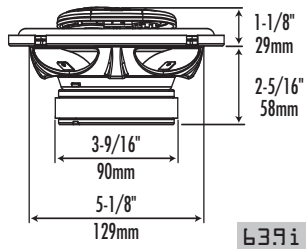
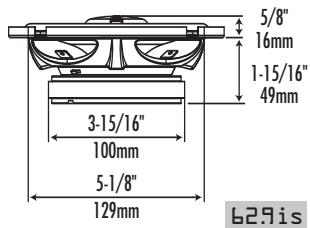
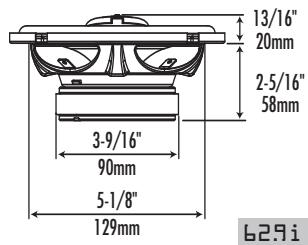


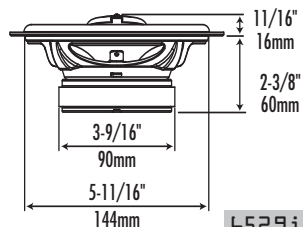
529i, 629i,
6529i, 6929i,
6829cf



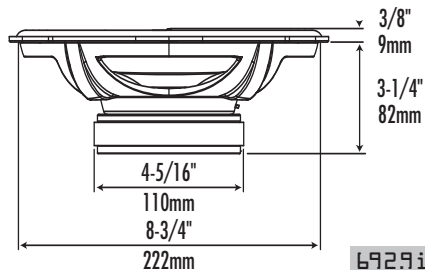
639i, 6939i



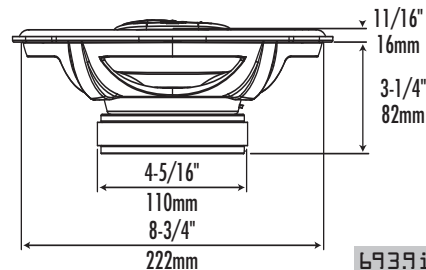




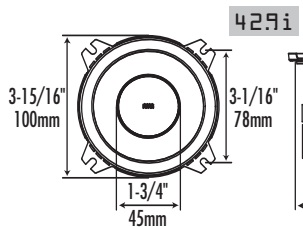
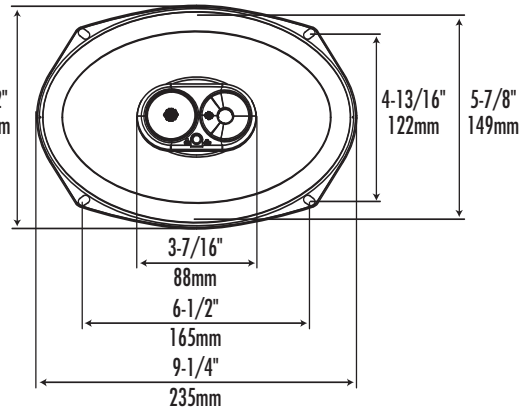
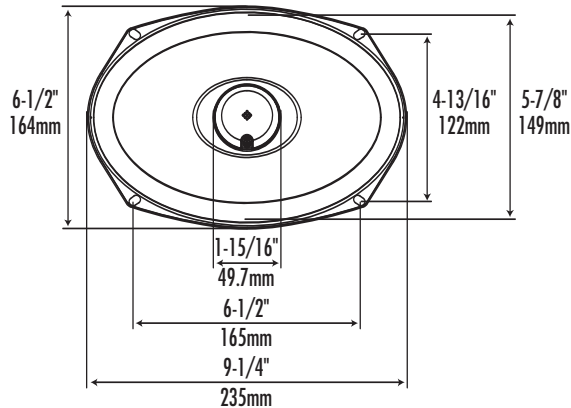
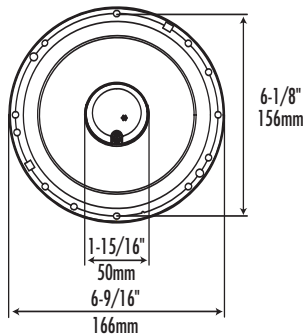
6529i



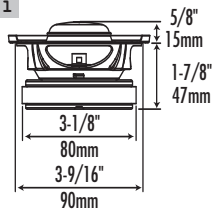
6929i



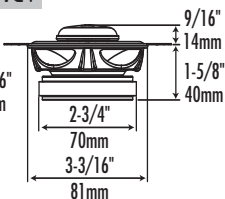
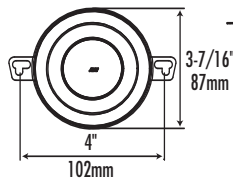
6939i



429i



329cf



	42.9i	52.9i	62.9i	62.9is	63.9i	652.9i	692.9i	693.9i	32.9cf	462.9cfp	682.9cf
BL (T-m)	3.07	3.54	4.10	3.61	4.10	4.07	5.50	5.50	2.56	2.94	4.14
DCR (ohms)	2.36	2.37	2.25	2.24	2.25	2.26	2.25	2.25	2.31	2.50	2.50
Mms (g)	4.45	8.55	12.59	10.90	12.59	12.50	24.87	24.87	3.23	5.33	15.06
Sd (sq cm)	58.1	102.1	141.0	126.7	141.0	141.0	230.9	230.9	44.2	58.1	164.0
Cms (µm/N)	412	381	325	414	325	338	304	304	528	423	300
Vas (l)	1.95	5.57	9.07	9.33	9.07	9.44	22.76	22.76	1.45	2.01	11.33
Fs (Hz)	117.5	88.2	78.7	74.9	78.7	77.4	57.9	57.9	121.9	106.0	74.9
Qes	0.82	0.90	0.83	0.88	0.83	0.83	0.67	0.67	0.87	1.03	1.03
Qms	6.72	6.35	8.00	6.16	8.00	6.89	8.27	8.27	5.53	7.84	6.55
Qt	0.73	0.79	0.75	0.77	0.75	0.74	0.62	0.62	0.75	0.91	0.89
SPL 2.83V	93.1	93.5	94.7	93.9	94.7	94.6	95.6	95.6	92.1	90.6	93.6

SPECIFICATIONS

Type:	42.9i 4" 2-Way	52.9i 5-1/4" 2-Way	62.9i 6-1/2" • 6-3/4" 2-Way	62.9is 6-1/2" • 6-3/4" 2-Way Shallow-Mount	63.9i 6-1/2" • 6-3/4" 3-Way	652.9i 165mm 2-Way
Nominal Impedance:	2 Ohms	2 Ohms	2 Ohms	2 Ohms	2 Ohms	2 Ohms
Power Handling, RMS:	50W	55W	75W	65W	75W	75W
Power Handling, Peak:	150W	165W	225W	195W	225W	225W
Frequency Response:	75Hz – 25kHz	55Hz – 25kHz	45Hz – 25kHz	45Hz – 25kHz	45Hz – 30kHz	45Hz – 25kHz
Sensitivity (2.83V, 1m):	93dB	94dB	93dB	94dB	95dB	95dB
Type:	692.9i 6" x 9" 2-Way	693.9i 6" x 9" 3-Way	32.9cf 3-1/2" 2-Way	462.9cfp 4" x 6" 2-Way Custom-Fit Plate	682.9cf 6" x 8" / 5" x 7" 2-Way Custom-Fit	
Nominal Impedance:	2 Ohms	2 Ohms	2 Ohms	2 Ohms	2 Ohms	
Power Handling, RMS:	110W	110W	35W	60W	100W	
Power Handling, Peak:	330W	330W	105W	180W	300W	
Frequency Response:	35Hz – 25kHz	35Hz – 30kHz	85Hz – 25kHz	75Hz – 25kHz	40Hz – 25kHz	
Sensitivity (2.83V, 1m):	96dB	96dB	92dB	94dB	94dB	

GENERAL CARE: The loudspeaker grilles may be cleaned with a damp cloth. Do not use any cleaners or solvents on the grilles or the speaker cones.

WARRANTY: Kappa® Series speakers are warranted against defects. The duration of the speaker's warranty depends on the laws in the country in which it was purchased. Your local Infinity car audio retailer can help you determine the length of your warranty. To register your product, please visit us at www.infinitysystems.com.



A valid serial number is required for warranty coverage.
Features, specifications and appearance are subject to change without notice.
This product is designed for mobile applications and is not intended for connection to the mains.
Harman Consumer Group, Inc. • 2 route de Tours, 72500 Château du Loir, France • www.infinitysystems.com
© 2008 Harman International Industries, Incorporated. All rights reserved. Part No. KAPPAME0M2/08
Infinity and Kappa are trademarks of Harman International Industries, Incorporated,
registered in the United States and/or other countries.

H A Harman International Company

Declaration of Conformity

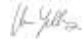


We, Harman Consumer Group, Inc.
2, route de Tours
72500 Château du Loir
France

declare in own responsibility that the products described in this owner's manual
are in compliance with technical standards:

EN 61000-6-3:2001
EN 61000-6-1:2001




Klaus Leberz
Harman Consumer Group, Inc.
Château du Loir, France 2/08